

KitchenAid® Undercounter Dishwasher

PRODUCT MODEL SERIES

KUDD01DPPA

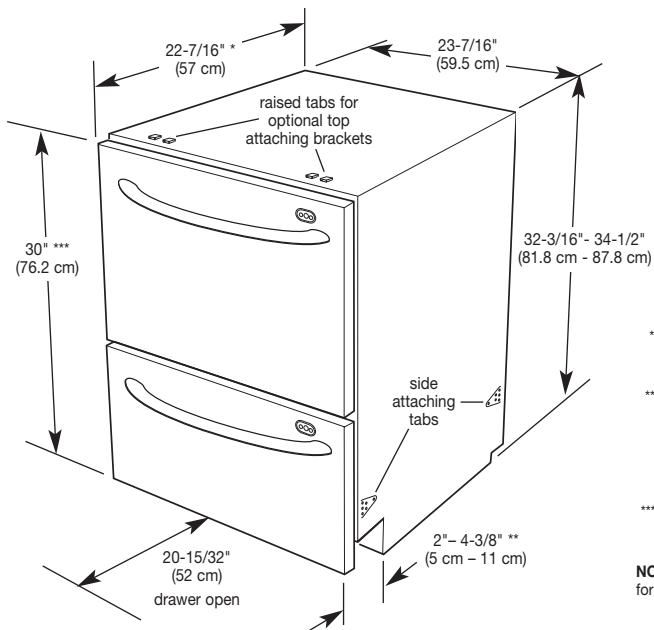
Electrical: A 120-volt, 60 Hz, AC-only, 15-amp fused electrical supply is required. (Circuit breaker or time-delay fuse is recommended.) It is recommended that a separate circuit serving only this appliance be provided.

The 3 prong grounded outlet must be installed within 6" (15.2 cm) to 18" (45.7 cm) of the cabinet side wall.

If you plan to install a garbage disposer, an additional separate 120-volt, 60 Hz, AC-only, 15- or 20-amp fused electrical supply is required.

Water: A hot water line with 4.3-145 psi (30-1000 kPa) water pressure must be used. Water temperature must be minimum 120°F (49°C) at dishwasher. An easily accessible valve with 3/8" compression fitting must be installed in the hot water supply line.

OVERALL DIMENSIONS



* If custom wood panels are to be used, the product depth is specified with an 11/16" (18 mm) door panel thickness.

** Toe panel depth: Factory supplied, 2-4-3/8" (5 - 11 cm); Custom wood, 5" (12.7 cm) less the toe panel thickness for integrated. Minimum panel thickness using the supplied screws is 3/8" (9 mm).

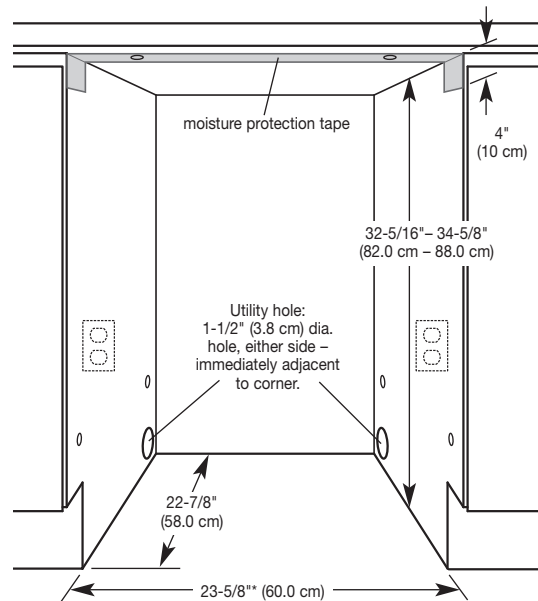
*** Door front height: Factory supplied - 30" (76.2 cm); Custom wood - 28-1/4" (71.8 cm) minimum.

NOTE: Product shown with front panels for dimension purposes.

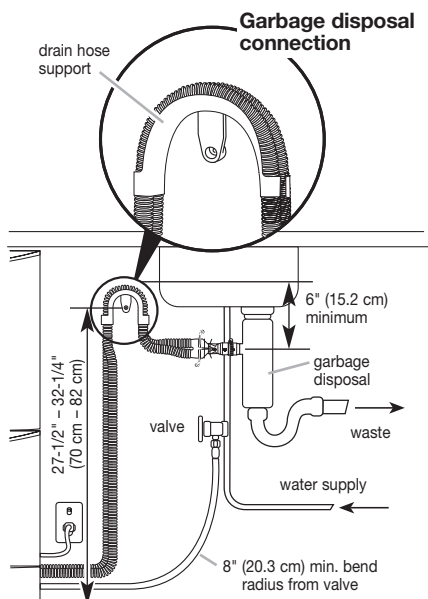
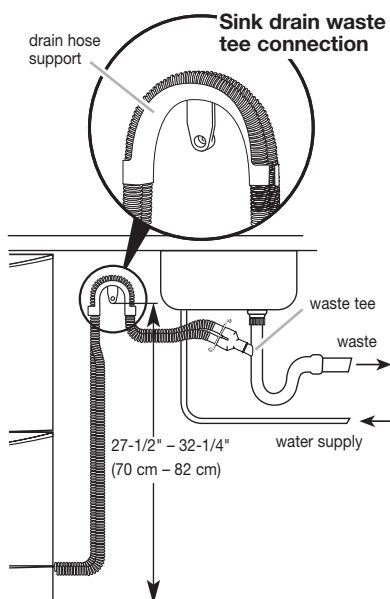
CABINET OPENING DIMENSIONS

***IMPORTANT:** Custom wood door panels, if used, may be wider than the dishwasher to match surrounding cabinets. The 23-5/8" (60.0 cm) must be increased so that there is a 1/4" (6.4 mm) clearance between the cabinet side and panel edge.

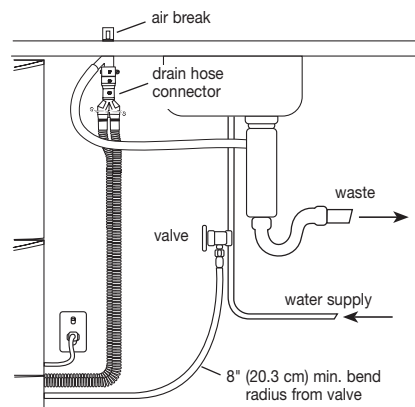
For corner installation, there must be a 1/2" (12.7 mm) space between the adjacent cabinet doors (i.e. door knobs) and open dishwasher drawer.



DRAIN OPTIONS



Air break connection



KitchenAid® Double Drawer Dishwasher Custom Door Panel Requirements

MODEL: KUDD01DPPA

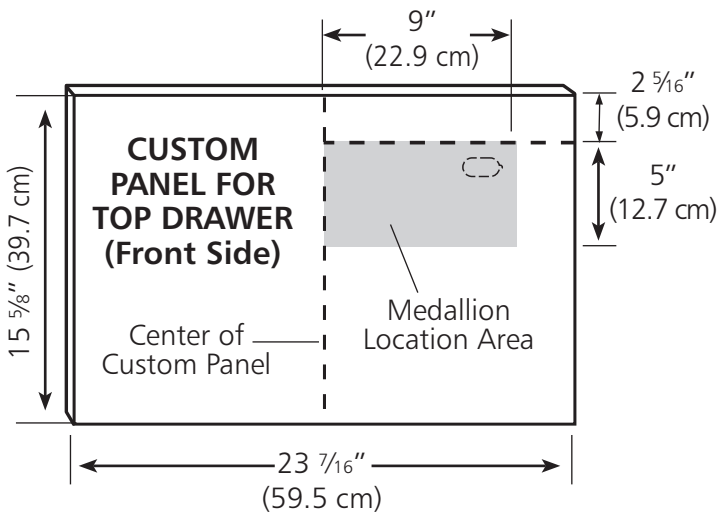


FIGURE 1A

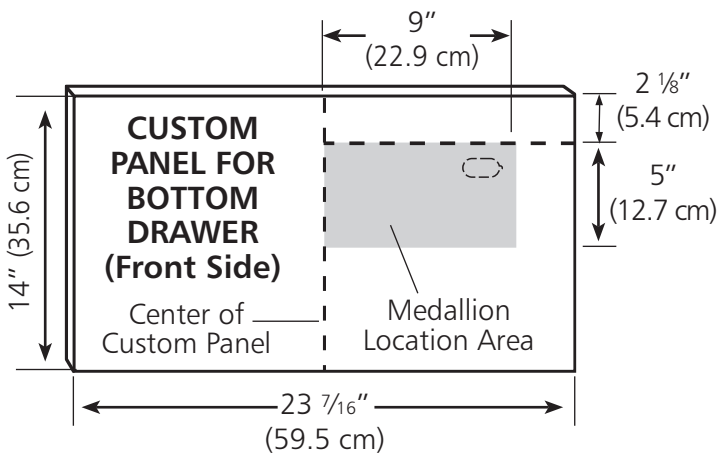


FIGURE 1B

MEDALLION CUTOUT DIMENSIONS FOR TOP AND BOTTOM DRAWER CUSTOM PANELS

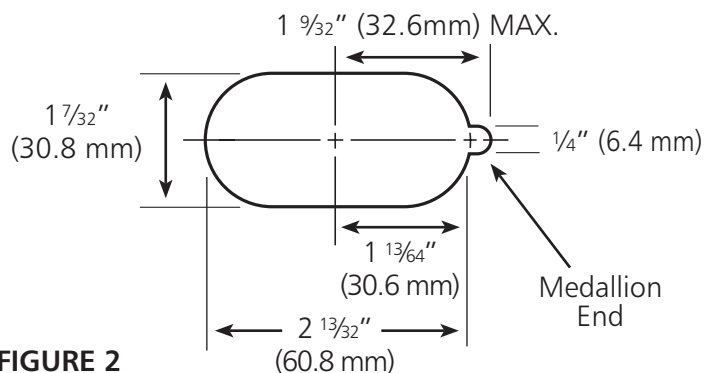


FIGURE 2

IMPORTANT: It is recommended that the top and bottom custom door panels be made from suitable material to withstand damp conditions or adequately sealed with a moisture-resistant material to withstand moisture and humidity.

- 1) Cut the top drawer custom door panel to size as shown (See figure 1A). The custom panels may be wider than the dishwasher in order to match the surrounding cabinets.

NOTE: The minimum custom panel thickness is $\frac{5}{8}$ " (16mm). Panel thickness more than $1\frac{1}{16}$ " (18mm) can be accommodated but overall product depth will increase accordingly.

- 2) Cut the bottom drawer custom door panel to size as shown (See figure 1B). The custom panels may be wider than the dishwasher in order to match the surrounding cabinets.

NOTE: The minimum custom panel thickness is $\frac{5}{8}$ " (16mm). Panel thickness more than $1\frac{1}{16}$ " (18mm) can be accommodated but overall product depth will increase accordingly.

- 3) On the front sides of both the top and bottom drawer custom door panels, measure and mark the location of the customer supplied handle. The location is customer preference. Do not install handles at this time.
- 4) On the front side of the top drawer custom door panel, measure, mark and cut a hole for the medallion to size as shown (See figures 1A & 2).

NOTE: The medallion must be placed within the specified medallion area. Do not locate outside of this specified area (See figure 1A).

- 5) On the front side of the bottom drawer custom door panel, measure, mark and cut a hole for the medallion to size as shown (See figures 1B & 2).

NOTE: The medallion must be placed within the specified medallion area. Do not locate outside of this specified area (See figure 1B).

- 6) Lay the top and bottom drawer custom door panels face down on a protective surface to prevent damage or abrasions.

KitchenAid® Double Drawer Dishwasher Custom Door Panel Requirements

MODELS: KUDD01DPPA

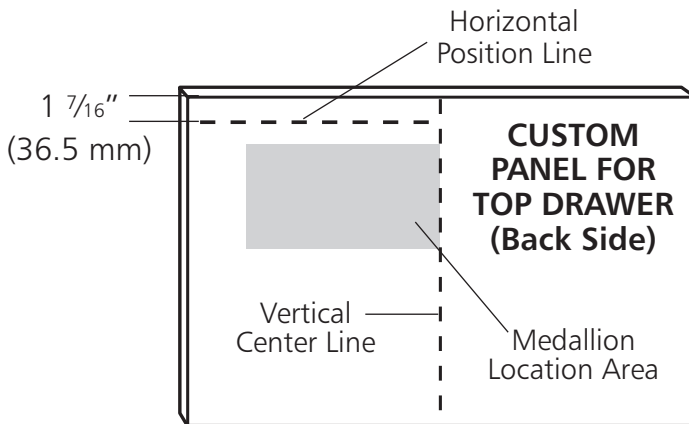


FIGURE 3A

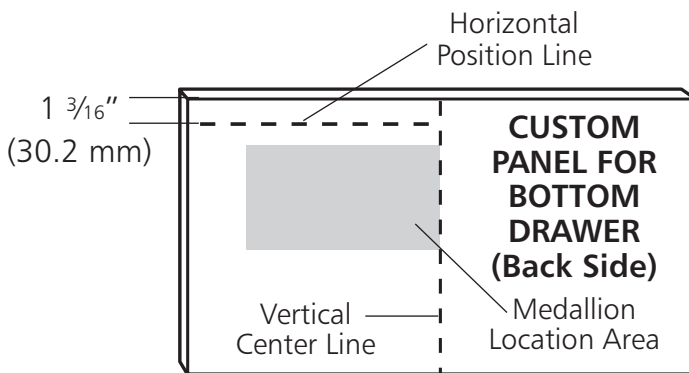


FIGURE 3B

- 7) On the back side of the top drawer custom door panel, rout a $\frac{1}{4}$ " (6.4 mm) radius around the medallion cutout previously cut in step #4. The medallion end does not need to be routed.
- 8) On the back side of the bottom drawer custom door panel, rout a $\frac{1}{4}$ " (6.4 mm) radius around the medallion cutout previously cut in step #5. The medallion end does not need to be routed.
- 9) If custom door panel material is not suitable to withstand damp conditions, seal with a moisture resistant material. For painted panels, paint all rear edges to improve sealing.
- 10) On the backside of the top drawer custom door panel, measure and mark the vertical center line and horizontal position line (See figure 3A).

NOTE: The $1 \frac{7}{16}$ " (36.5 mm) horizontal position line is marked for later use in the installation process. Refer to the *Installation Instructions Drawer Dishwasher* included with the Drawer Dishwasher to align and attach the top drawer custom door panel to the factory supplied metal plate.

- 11) On the backside of the bottom drawer custom door panel, measure and mark the vertical center line and horizontal position line (See figure 3B).
- NOTE:** The $1 \frac{3}{16}$ " (30.2 mm) horizontal position line is marked for later use in the installation process. Refer to the *Installation Instructions Drawer Dishwasher* included with the Drawer Dishwasher to align and attach the bottom drawer custom door panel to the factory supplied metal plate.
- 12) Mount the customer supplied handles to the locations previously marked on the top and bottom drawer custom panels.
- IMPORTANT:** When mounting the customer supplied handles, screws must fit flush to the panel and not extend beyond the back surface.
- 13) Refer to the *Installation Instructions Drawer Dishwasher* included with the Drawer Dishwasher to complete installation.